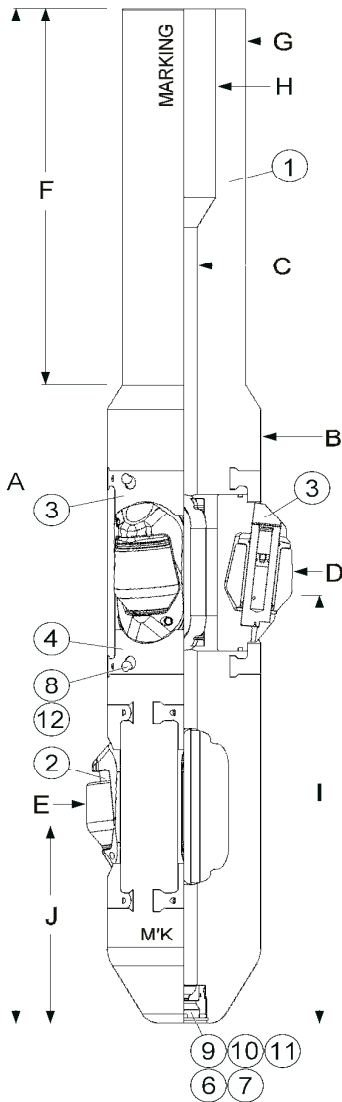




ASSEMBLY DRAWING

ESS EXPANSION TOOL f/ 7" SYSTEM



TOTAL Moho Bilondo

Project:	TBA
TOTAL PO:	TBA
TOTAL Item No.:	TBA
Assy Part No.:	00873733
Serial No.:	# 01 THRU' 2
Quantity:	2
WCS PO No.:	TBA
WCS Item No.:	TBA
Date:	09-Nov-06
Revision:	A

AS BUILT ASSEMBLY

	mm	inches
(A) Over-All-Length	1080	42.520
(B) Body OD	150	5.906
(C) Body ID	25.4	1.000
(D) Rear Rollers OD (Out)	210.9	8.303
(E) Front Rollers OD (Out)	189.6	7.465
(F) Tong Area Length	400	15.748
(G) Box OD	120.65	4.750
(H) Box ID	61.9	2.437
(I) Length to Rear Roller Face	457	17.992
(J) Length to Front Roller Face	207	8.150
Upper Thread		Grant Prideco XT38 Box

WCS DWG No.	762-7001-000-003
Assembler	
Date	
Verification Signature	
Date	



ASSEMBLY DRAWING

ESS EXPANSION TOOL f/ 7" SYSTEM

TOTAL Moho Bilondo

Project:	TBA
TOTAL PO:	TBA
TOTAL Item No.:	TBA
Assy Part No.:	00873733
Serial No.:	# 01 THRU' 2
Quantity:	2
WCS PO No.:	TBA
WCS Item No.:	TBA
Date:	09-Nov-06
Revision:	A

AS BUILT ASSEMBLY

Item No.	Part No.	Description	QTY	Check
1	00878083	Front Carrier Assembly	3	
2	00878084	Rear Carrier Assembly	3	
3	00814841	Main Body	1	
4	00774431	Lower Retainer Plate	6	
5	00774432	Upper Retainer Plate	6	
6	00760221	Nozzle	1	
7	00760064	Nozzle Retainer	1	
8	00733187	Shoulder Screw	12	
9	00769823	O-Ring 127	1	
10	00769880	O-Ring 122	1	
11	00762064	Internal Circlip f/ 45mm Bore	1	
12	00323025	Internal Circlip f/ 14mm Bore	12	
13	00878162	Blank Nozzle	1	

WCS DWG No.	762-7001-000-003
Assembler	
Date	
Verification Signature	
Date	